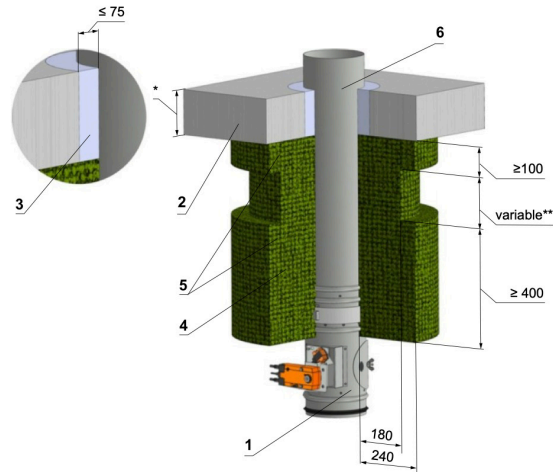


# FDMR EI 90 S (Remote Slab construction)



Position:

1. Fire damper
2. Solid ceiling construction
3. Firepro firestop compound
4. Stone wool with one side stitched wire fencing (min. density 105 kg/m<sup>3</sup>) thickness 180 mm (e.g. 3x60mm)
5. Stone wool with one side stitched wire fencing (min. density 105 kg/m<sup>3</sup>) thickness 60 mm
6. Ductwork connected with breakaway joints

\*min. 110 - Concrete/ min. 125 - Aerated concrete

Used materials - example:

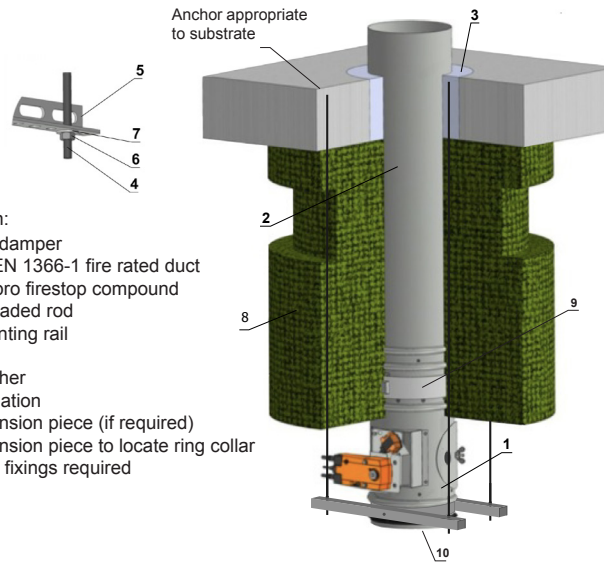
4. Rockwool Wired Mat 105 th.
5. 3x60mm Rockwool Wired Mat 105 th. 60mm

\* Stuffing box, fire protection mastic, cement lime plate and insulation materials can be replaced by another approved fire sealing system for damper installation with equivalent material properties.

\*\* Depends on the distance of the flap from the construction, when the maximum distance from the construct is not limited and according to EN 15882-2 must use the required number of supports according to 1366-1:2014.

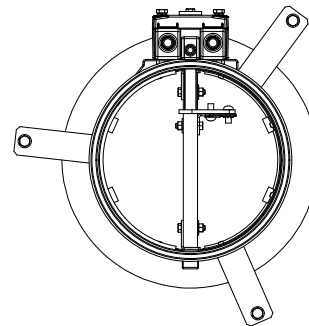
For builders work opening (BWO) please refer to ductwork manufacturers tested penetration detail.

Insulation to be installed with manufacturers installation practices taking priority. Damper can be installed above or below the slab.

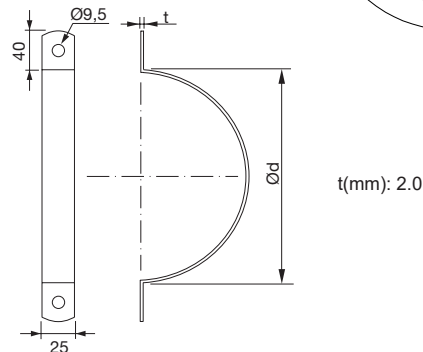


Position:

1. Fire damper
2. BS EN 1366-1 fire rated duct
3. Firepro firestop compound
4. Threaded rod
5. Mounting rail
6. Nut
7. Washer
8. Insulation
9. Extension piece (if required)
10. Extension piece to locate ring collar solid fixings required

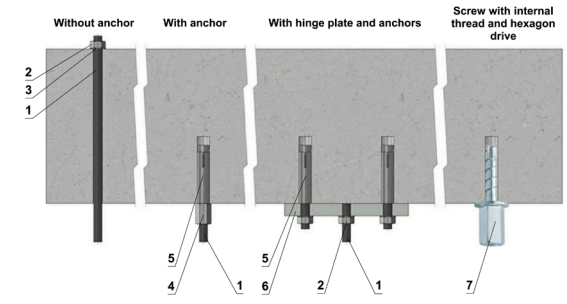


Suspension rings - UVH25

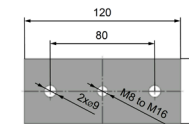


For suspension of circular ducting. For insulated duct it is recommended that the suspension ring is mounted inside the insulation.

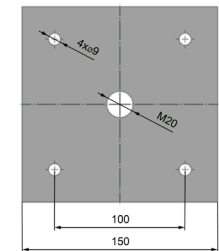
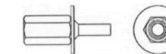
Advice provided by a fixing specialist contractor takes precedence.



Hinge plates



Screw with internal thread and hexagon drive



Load capacities of threaded hanger rods F [N] at the required fire resistance 90 minutes

Size	As [mm]	Weight G [kg]	
		for 1 piece	for 1 pair
M8	36.6	22	44
M10	58	35	70
M12	84.3	52	104
M14	115	70	140
M16	157	96	192
M18	192	117	234
M20	245	150	300

Position:

1. Threaded rod M8 - M20
2. Nut
3. Washer
4. Coupling nut
5. Anchor
6. Hinge plate - min. thickness 10mm
7. Concrete screw tested for fire resistance R30-R90, max. tension up to 0.75kN (length 35mm)

Drop rod diameter is based on damper weight, see full Damper TPM for further technical details or contact help@Mandik.co.uk. Mandik reserves the right to update this information without prior notice.

		Mandik UK Ltd www.mandik.co.uk Office: 0117 4526376		Redwood House Brotherswood Court Great Park Road Almondsbury Bristol BS32 4QW	
		Title: <b>FDMR - Remote Slab</b>		CE certified acc. to EN 15650	
Classification: <b>EI 90 (ho i&lt;-&gt;o) S</b>		Tested in accordance with EN 1366-2		Size: (min-max) 100x200 - 710x800	
Drawing No: <b>0000-0000-042 Rev 4</b>		Date: <b>29/10/2021</b>		Illustrated: GP    Approved: MF	
Intellectual property of MANDIK Ltd. Unauthorised use shall be punishable by law					