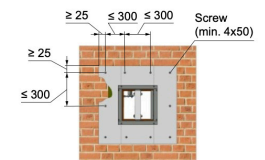
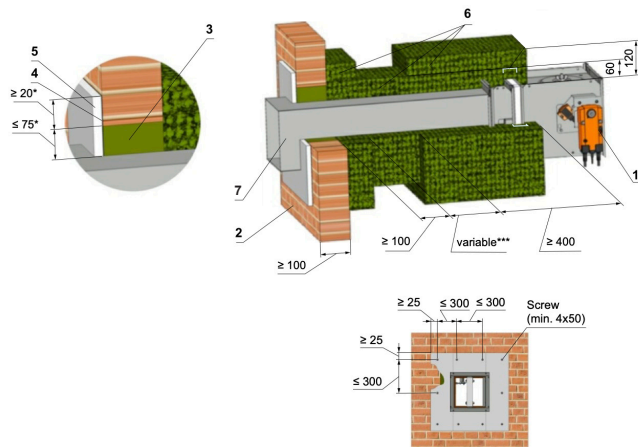


FDMQ EI 90 S (Remote solid wall construction)



Screws has to be fixed in wall/ceiling construction. (If it is needed use steel bracket).

Position:

- 1 Fire damper
- 2 Solid wall construction
- 3 Stuffing box (Mineral stone wool min. density 140 kg/m³)
- 4 Fire protection mastic min. thickness 1mm
- 5 Cement lime plate min. thickness 15mm (min. density 870 kg/m³)
- 6 Stone wool with one side stitched wire fencing (min. density 105 kg/m³) thickness 60 mm
- 7 Ductwork connected with breakaway joints

Used materials - example:

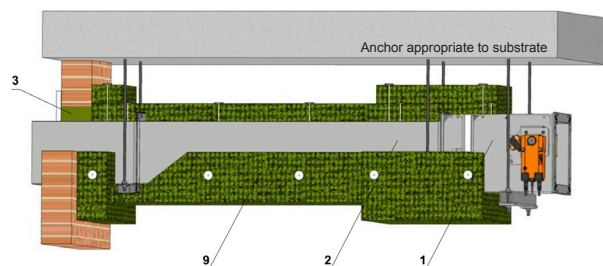
- 3 Promapyr. Rockwool Steprock HD. Hilti CFS-CT C 1S 140/50
- 4 Promastop - P, K, Hilti CFS-CT
- 5 Promatect - H
- 6 Rockwool Wired Mat 105 th. 60mm

** Stuffing box, fire protection mastic, cement lime plate and insulation materials can be replaced by another approved fire sealing system for damper installation with equivalent material properties.

*** Depends on the distance of the flap from the construction, when the maximum distance from the construct is not limited and according to EN 15882-2 must use the required number of supports according to 1366-1:2014.

For builders work opening (BWO) please refer to ductwork manufacturers tested penetration detail.

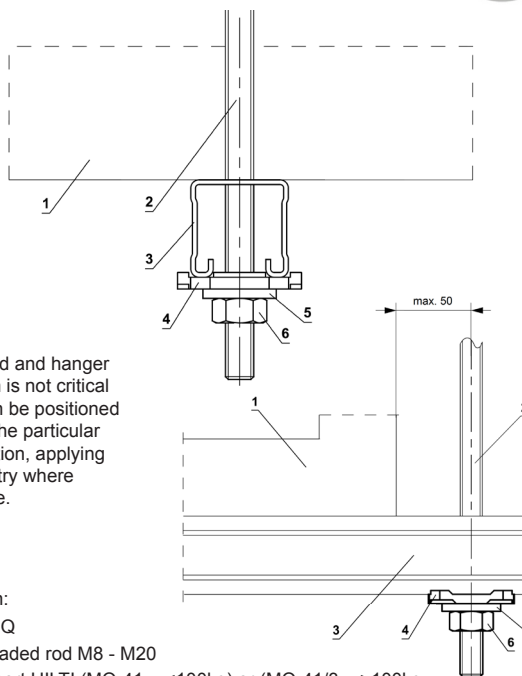
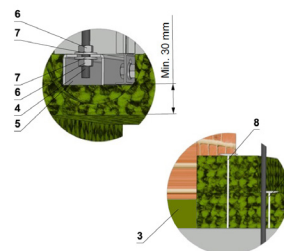
Insulation to be installed with manufacturers installation practices taking priority.



Position:

- 1 Fire damper
- 2 BS EN 1366-1 fire rated duct
- 3 Soft padding
- 4 Threaded rod
- 5 Mounting rail
- 6 Nut
- 7 Washer
- 8 Weld pin
- 9 Insulation

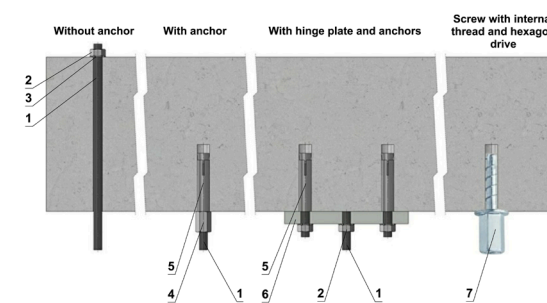
Insulation layers on the duct



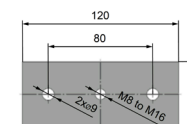
Position:

- 1 FDMQ
- 2 Threaded rod M8 - M20
- 3 Support HILTI (MQ-41 = <100kg) or (MQ-41/3 = >100kg)
- 4 Bored plate HILTI MQZ-L
- 5 Washer for M8 - M20
- 6 Nut M8 - M20

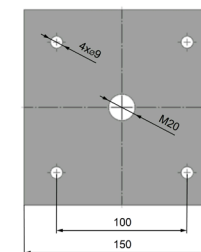
Advice provided by a fixing specialist contractor takes precedence.



Hinge plates



Screw with internal thread and hexagon drive



Load capacities of threaded hanger rods F [N] at the required fire resistance 90 minutes

Size	A _s [mm]	Weight G [kg]	
		for 1 piece	for 1 pair
M8	36.6	22	44
M10	58	35	70
M12	84.3	52	104
M14	115	70	140
M16	157	96	192
M18	192	117	234
M20	245	150	300

Position:

- 1 Threaded rod M8 - M20
- 2 Nut
- 3 Washer
- 4 Coupling nut
- 5 Anchor
- 6 Hinge plate - min. thickness 10mm
- 7 Concrete screw tested for fire resistance R30-R90, max. tension up to 0.75KN (length 35mm)

Drop rod diameter is based on damper weight, see full Damper TPM for further technical details or contact help@Mandik.co.uk. Mandik reserves the right to update this information without prior notice.

		Mandik UK Ltd www.mandik.co.uk Office: 0117 4526376		Redwood House Brotherswood Court Great Park Road Almondsbury Bristol BS32 4QW	
		Title: FDMQ - Remote solid wall		CE certified acc. to EN 15650	
Classification: EI 90 (ve i<->o) S		Tested in accordance with EN 1366-2		Size: (min-max) 150x150 - 1500x800	
Drawing No: 0000-0000-034 Rev 2		Date: 11/10/21		Illustrated: GP Approved: MF	
Intellectual property of MANDIK Ltd. Unauthorised use shall be punishable by law					